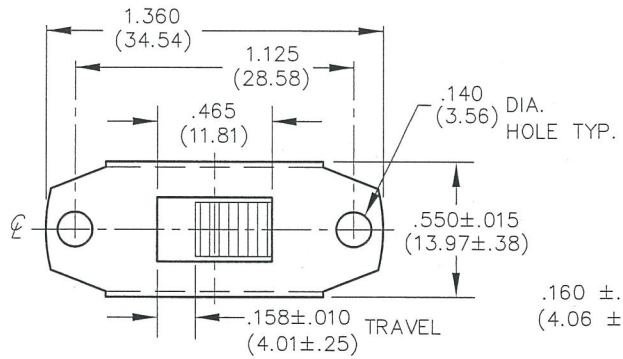


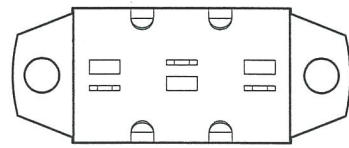
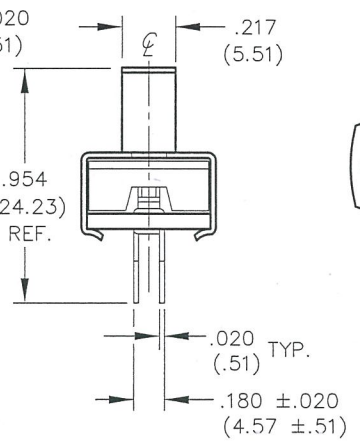
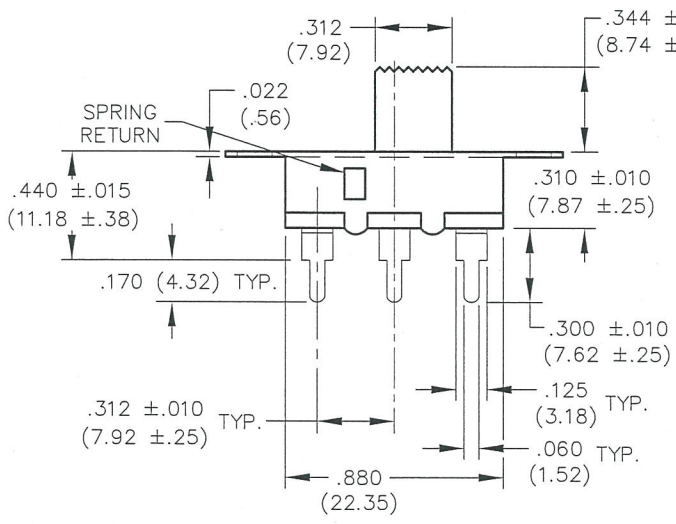
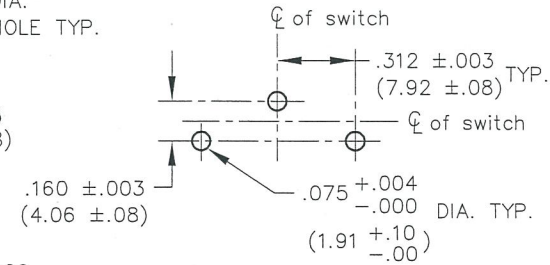
THIS INFORMATION IS CONFIDENTIAL AND PROPRIETARY TO CW INDUSTRIES INCORPORATED AND ITS AFFILIATES. IT MAY NOT BE DISCLOSED TO ANYONE, OTHER THAN CW INDUSTRIES PERSONNEL, WITHOUT WRITTEN AUTHORIZATION FROM CW INDUSTRIES INCORPORATED, SOUTHAMPTON, PENNSYLVANIA USA.

DIMENSIONS IN INCHES (MILLIMETERS)
DO NOT SCALE DRAWING

Dwg. No.
G-332-0023



P.C. LAYOUT



**BOTTOM VIEW
(RELOCATED)**

1 2 3 4 5 6 7 8 9 10

B-FORMAT 2002	REVISIONS	0
	RELEASED:	2-16-2016
	DGW	APR 13 2016

PDF MADE	CW INDUSTRIES Southampton, Pa. 18966	Title: SLIDE SWITCH ASSEMBLY S.P. - D.T. SPRING RETURN
	TOLERANCES UNLESS OTHERWISE SPECIFIED	
	2 Place Decimal ±.010 METRIC	1 Place Dec. ±.25mm
	3 Place Decimal ±.005	2 Place Dec. ±.13mm
	Angles ±1°	
Made for: CW IND.	Division: SWITCH	
Drawn by: DGW 2-16-2016	Dwg. No.	
Checked by: <i>G. Guld 2-17-16</i>	G-332-0023	
Approval: <i>G. GULD 2-17-16</i>		

MASTER